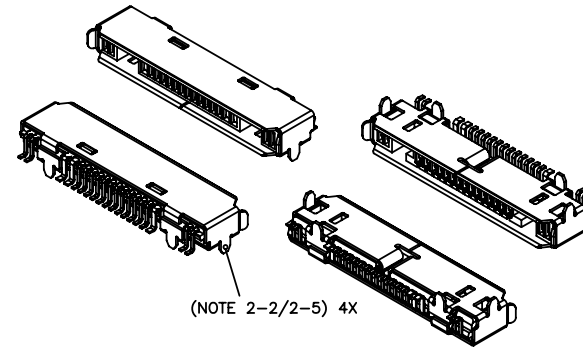
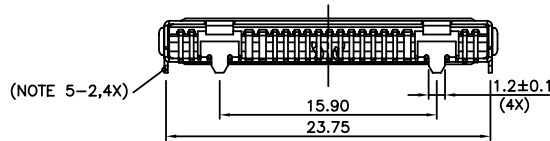
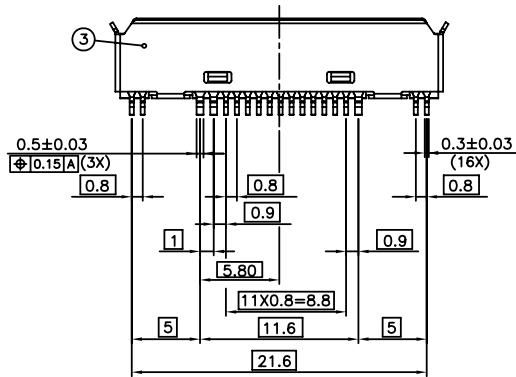
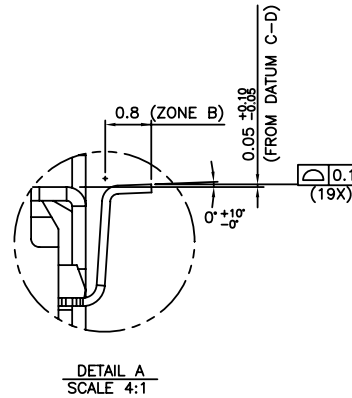
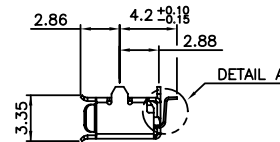
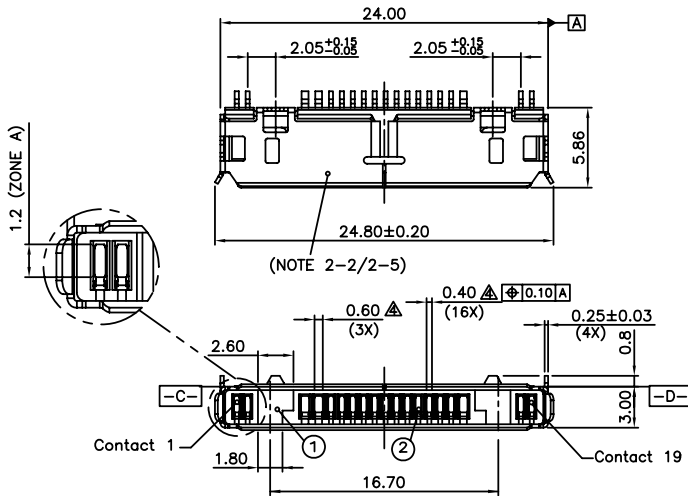


Tous droits strictement réservés. Reproduction ou communication a des tiers interdite sous quelque forme que ce soit sans autorisation écrite du propriétaire. Propriété de c FCI. Droits de reproduction FCI.

All rights strictly reserved. Reproduction or issue to third parties in any form whatever is not permitted without written authority from the proprietor. Property of FCI. Copyright FCI.



PRODUCT NUMBER	REMARK
54040-001-LF	BOTTOM MOUNT



(NOTE 2-2/2-5) 4X

NOTES:

- MATERIAL
  - 1-1 HOUSING: HIGH TEMP. PLASTIC, LCP OR EQUIVALENT. UL94V-0, COLOR BLACK.
  - 1-2 CONTACT: COPPER ALLOY. THICKNESS: 0.15±0.02 mm. RAW MAT'L MUST SUPPLIED BY NIPPON MINING.
  - 1-3 SHIELD: STAINLESS STEEL. THICKNESS: 0.25±0.03 mm.
- FINISH
  - 2-1 CONTACT: Ni 1.2um(50u") UNDERPLATED ALL OVER,
    - ZONE A: 0.76um Au.
    - ZONE B: PURE Sn 2.5 um FOR 54040-001-LF; EXCEPT CUT-OFF EDGES.
    - ZONE B: MATTE PURE TIN 2.5~5um(100~200u"). (FOR LEAD FREE PLATING) EXCEPT CUT-OFF EDGES.
  - 2-2 SHIELD: Ni 1.2um(50u")
- PACKAGE
  - 3-1 PACKAGING SPECIFICATION: GES-14-532, PRODUCT TO BE TAPED ON REEL PACKED.
- WIDTH OF CONTACT
 

CONTACT POSITION	WIDTH
3,4,17	0.6 mm
OTHERS	0.4 mm
- RECOMMENDED PCB LAYOUT
  - 5-1 SEE SHEET 2.
  - 5-2 THE SHIELD FOUR PEGS AND BOTTOM SURFACE SHOULD BE SOLDERED.
- SUFFIX "-LF" OF 54040-001-LF MEANS FOR LEAD FREE PRODUCT. 54040-001-LF CAN MEETS EUROPEAN UNION D OTHER COUNTRY REGULATIONS AS DESCRIBED IN GS-22-008. LEAD FREE LABEL ON REEL & CARTON OF 54040-001-LF PER GS-14-920
- THE HOUSING WILL WITHSTAND EXPOSURE TO 260° PEAK TEMPERATURE FOR 10 SECONDS IN A CONVECTION, INFRA-RED OR VAPOR PHASE REFLOW OVEN

mat'l. code		tolerances unless otherwise specified		CUSTOMER COPY		FCI www.fciconnect.com			
ltr	ecn no	dr	date	linear	.X ± 0.20	projection	title		
N	T04-0213	M W	05/27/04		.XX ± 0.10		IN-PHONE RECEPTACLE 19 POS. ASSEMBLY		
P	pg04-0056	P M	08/09/04						
R	pg04-0096	P M	12/13/04	angles	0° ±2°		product family MOBILE I/O size dwg no		
S	pg04-0105	P M	12/24/04	dr	J.Gibbels 10/28/99				
T	pg05-0574	P M	01/03/06	enr	H.Vereijken 10/28/99	scale	code TWN		
U	pg06-0452	C L	11/03/06	chr	H.van-der-Steen 10/28/99				
V	pg07-0091	C L	03/19/07	appd	JOSEPH HSIA 10/28/99	2:1	sheet 1 of 8		
sheet index	revision sheet	V	P	S	P	R	R	S	B
		1	2	3	4	5	6	7	8

cage code  
22526

ACAD

Tous droits strictement reserves. Reproduction ou communication a des tiers interdite sous quelque forme que ce soit sans autorisation écrite du propriétaire. Propriete de c FCI. Droits de reproduction FCI.

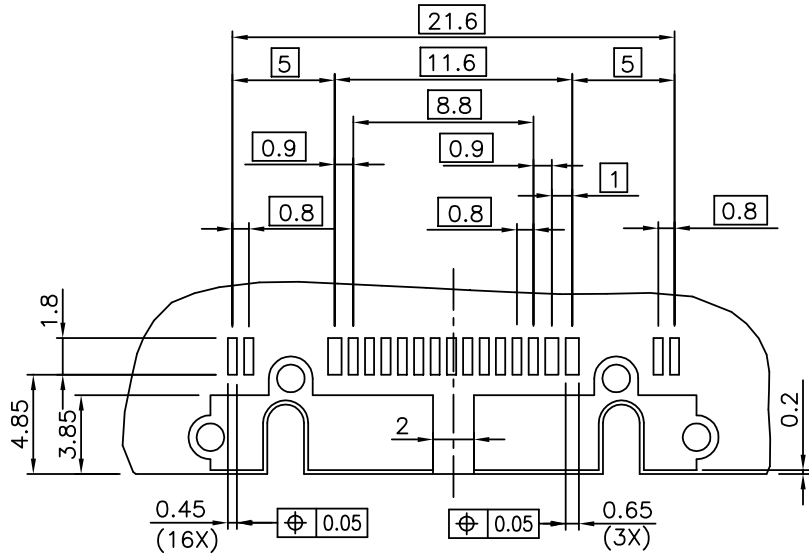
All rights strictly reserved. Reproduction or issue to third parties in any form whatever is not permitted without written authority from the proprietor. Property of FCI. Copyright FCI.



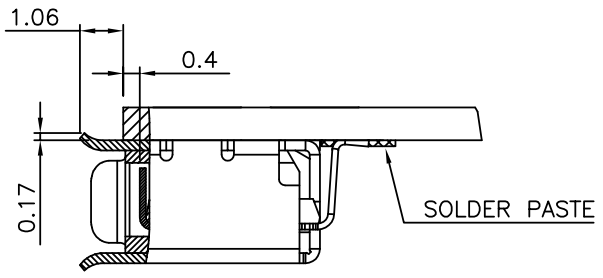
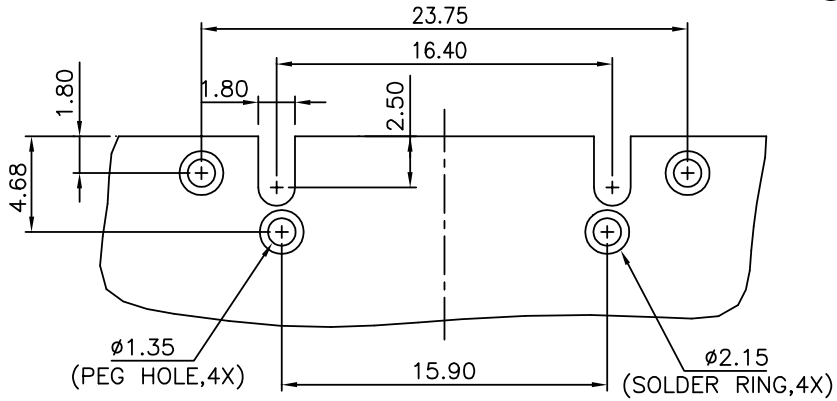
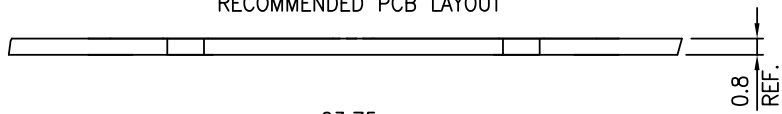
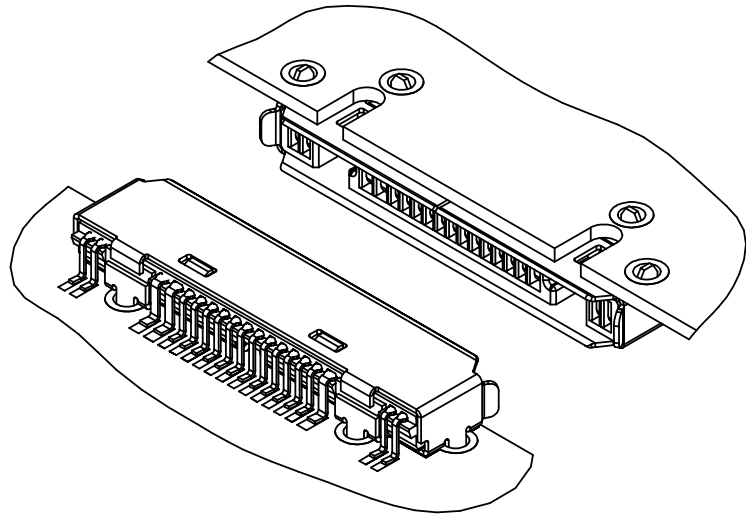
1 | 2

3 |

4



RECOMMENDED PCB LAYOUT



SECTION B-B  
SCALE 2:1

mat'l. code				tolerances unless otherwise specified		CUSTOMER COPY		FCI www.fciconnect.com	
ltr	ecn no	dr	date	linear	.X ± 0.20	projection	title		
P					.XX ± 0.10		IN-PHONE RECEPTACLE 19 POS. ASSEMBLY		
				angles	0° ± 2°		product family	MOBILE I/O	code
				dr	J.Gibbels 10/28/99	scale	size	dwg no	TWN
				enr	H.Vereijken 10/28/99	3:1	A4	54040	sheet
				chr	H.van-der-Steen 10/28/99				2 of
				appd	JOSEPH HSIA 10/28/99				
sheet index	revision sheet								

1 | 2

3 |

4

ACAD

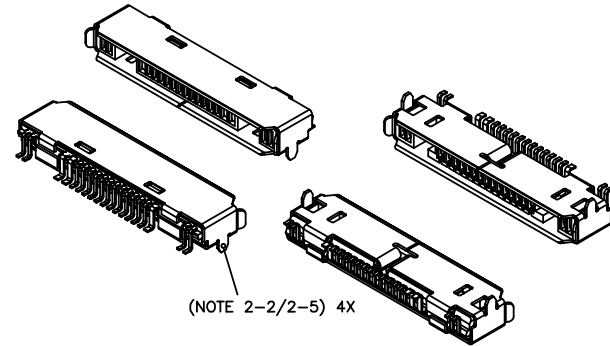
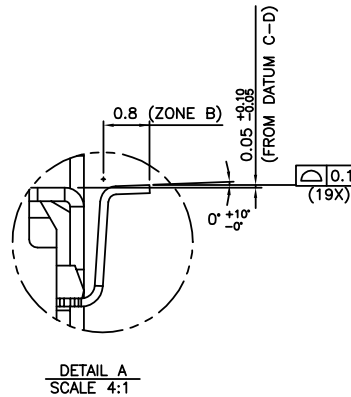
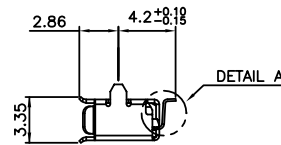
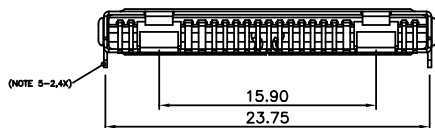
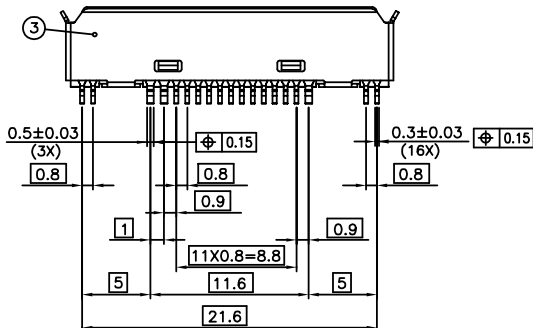
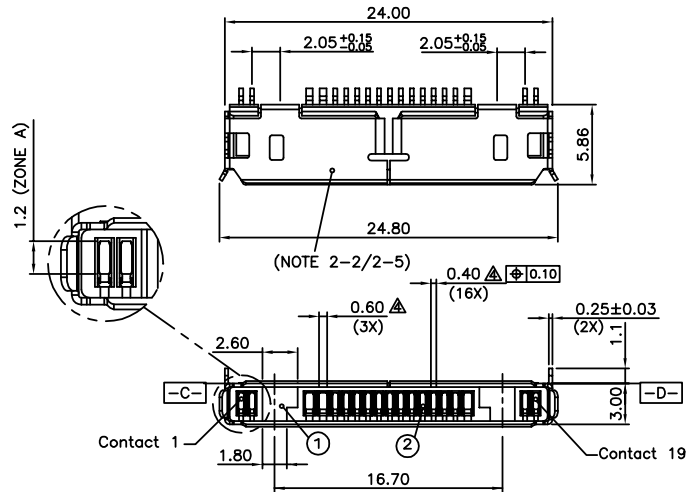
cage code  
22526

Tous droits strictement réservés. Reproduction ou communication à des tiers interdite sous quelque forme que ce soit sans autorisation écrite du propriétaire. Propriété de c FCI. Droits de reproduction FCI.

All rights strictly reserved. Reproduction or issue to third parties in any form whatever is not permitted without written authority from the proprietor. Property of FCI. Copyright FCI.



PRODUCT NUMBER	REMARK
54040-002-LF	BOTTOM MOUNT



NOTES:

- MATERIAL**
  - 1-1 HOUSING: HIGH TEMP. PLASTIC, LCP OR EQUIVALENT. UL94V-0, COLOR BLACK.
  - 1-2 CONTACT: COPPER ALLOY. THICKNESS: 0.15±0.02 mm. RAW MAT'L MUST SUPPLIED BY NIPPON MINING.
  - 1-3 SHIELD: STAINLESS STEEL. THICKNESS: 0.25±0.03 mm.
- FINISH**
  - 2-1 CONTACT: Ni 1.2um(50u") UNDERPLATED ALL OVER, --ZONE A: 0.76um Au. --ZONE B: PURE Sn 2.5 um(100u") FOR 54040-002-LF EXCEPT CUT-OFF EDGES.
  - 2-2 SHIELD: Ni 1.2um(50u")
- PACKAGE**
  - 3-1 PACKAGING SPECIFICATION: GES-14-532, PRODUCT TO BE TAPED ON REEL PACKED.
- WIDTH OF CONTACT**

CONTACT POSITION	WIDTH
3,4,17	0.6 mm
OTHERS	0.4 mm
- RECOMMENDED PCB LAYOUT**
  - 5-1 SEE SHEET 2.
  - 5-2 THE SHIELD FOUR PEGS AND BOTTOM SURFACE SHOULD BE SOLDERED.
- SUFFIX "-LF"** OF 54040-002-LF MEANS FOR LEAD FREE PRODUCT. 54040-002-LF CAN MEETS EUROPEAN UNION D OTHER COUNTRY REGULATIONS AS DESCRIBED IN GS-22-008. LEAD FREE LABEL ON REEL & CARTON OF 54040-002-LF PER GS-14-920
- THE HOUSING WILL WITHSTAND EXPOSURE TO 260° PEAK TEMPERATURE FOR 10 SECONDS IN A CONVECTION, INFRA-RED OR VAPOR PHASE REFLOW OVEN**

mat'l. code				tolerances unless otherwise specified		CUSTOMER COPY		FCI www.fciconnect.com	
ltr	ecn no	dr	date	linear	.X ± 0.20	projection		title	
S				angles	.XX ± 0.10	MM		IN-PHONE RECEPTACLE 19 POS. ASSEMBLY	
				dr	J.Gibbels 10/28/99	scale		product family	
				enr	H.Vereijken 10/28/99	2:1		MOBILE I/O	
				chr	H.van-der-Steen 10/28/99	A4		code	
				appd	JOSEPH HSIA 10/28/99			size	
sheet	revision							54040	
index	sheet							TWN	
								sheet	
								3 of	

cage code  
22526

ACAD

PDM: Rev:V

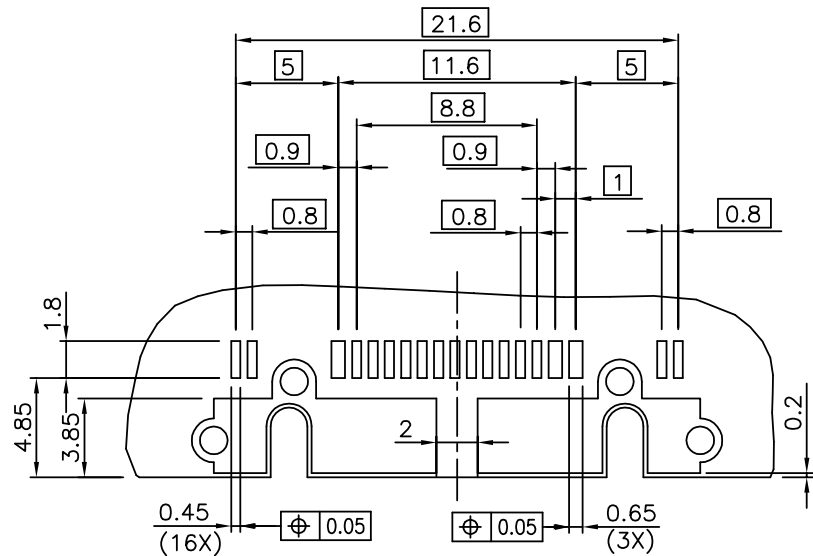
STATUS: Released

Printed: Apr 13, 2008

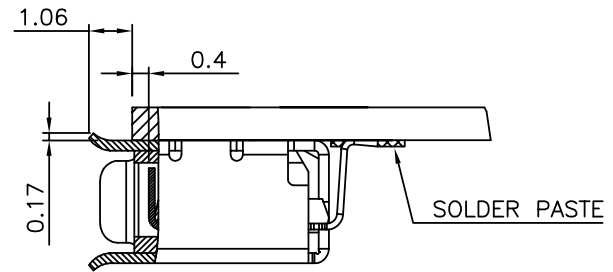
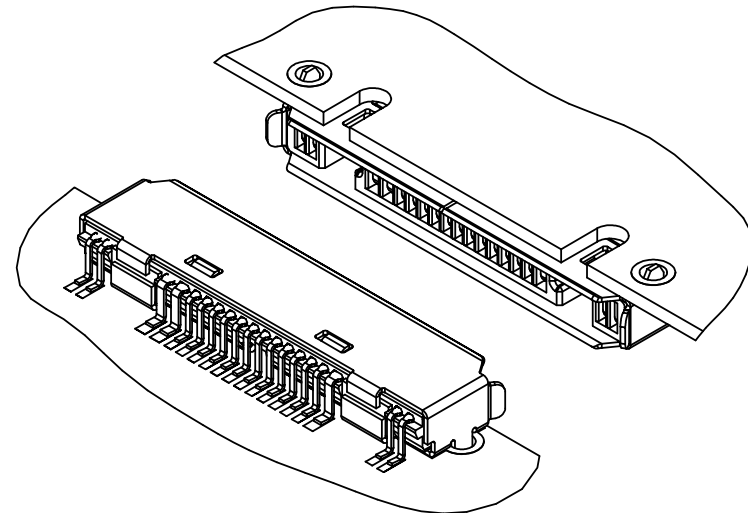
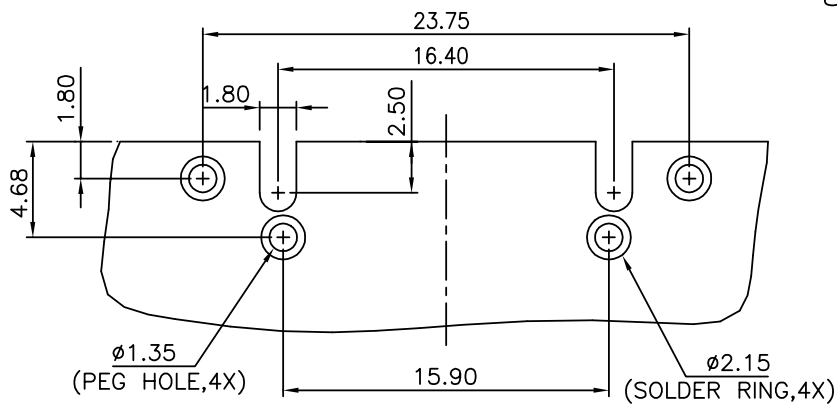
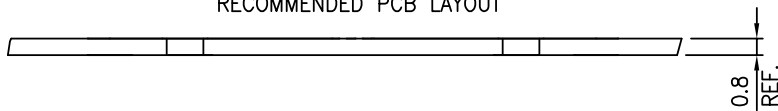
Tous droits strictement reserves. Reproduction ou communication a des tiers interdite sous quelque forme que ce soit sans autorisation écrite du propriétaire. Propriete de c FCI. Droits de reproduction FCI.



All rights strictly reserved. Reproduction or issue to third parties in any form whatever is not permitted without written authority from the proprietor. Property of FCI. Copyright FCI.



RECOMMENDED PCB LAYOUT



SECTION B-B  
SCALE 2:1

mat'l. code				tolerances unless otherwise specified		CUSTOMER COPY		FCI	
ltr	ecn no	dr	date	linear	.X ± 0.20	projection	www.fciconnect.com		
P				angles	.XX ± 0.10		title		
					0° ± 2°		IN-PHONE RECEPTACLE		
				dr	J.Gibbels 10/28/99	MM	product family		code
				enr	H.Vereijken 10/28/99	←	MOBILE I/O		TWN
				chr	H.van-der-Steen 10/28/99	scale	size dwg no		sheet
				appd	JOSEPH HSIA 10/28/99	3:1	A4		4 of
sheet index	revision sheet								

cage code  
22526

ACAD

PDM: Rev:V

STATUS: Released

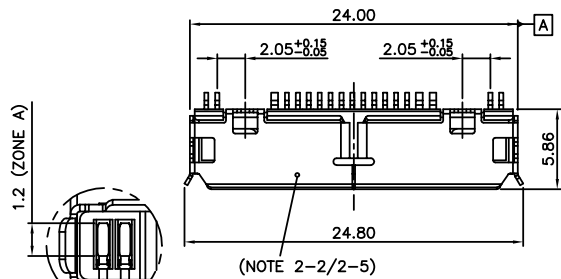
Printed: Apr 13, 2008

Tous droits strictement réservés. Reproduction ou communication à des tiers interdite sous quelque forme que ce soit sans autorisation écrite du propriétaire. Propriété de c FCI. Droits de reproduction FCI.

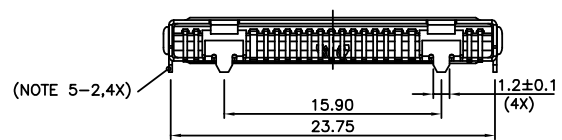
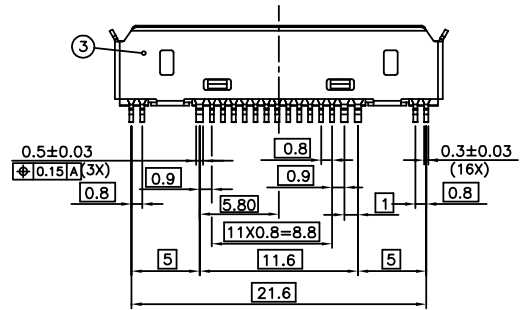
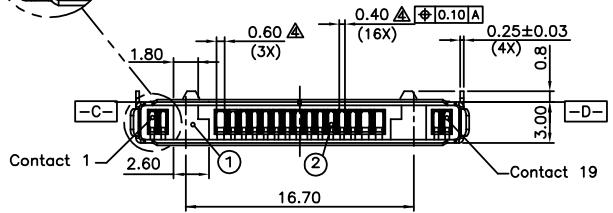


All rights strictly reserved. Reproduction or issue to third parties in any form whatever is not permitted without written authority from the proprietor. Property of FCI. Copyright FCI.

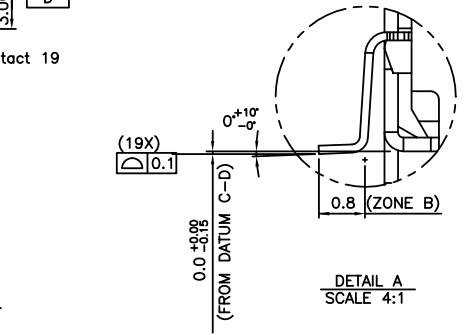
PRODUCT NUMBER	REMARK
54040-003-LF	TOP MOUNT



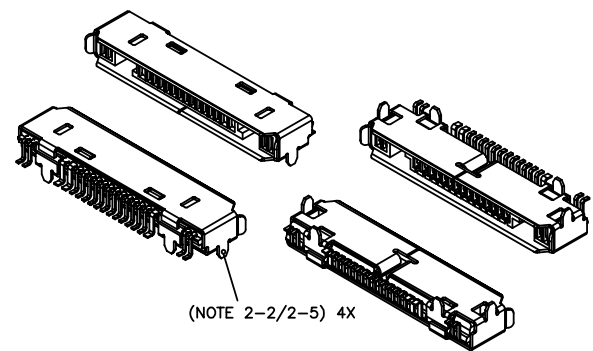
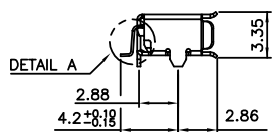
(NOTE 2-2/2-5)



(NOTE 5-2,4X)



DETAIL A  
SCALE 4:1



(NOTE 2-2/2-5) 4X

NOTES:

- MATERIAL
  - 1-1 ① HOUSING: HIGH TEMP. PLASTIC, LCP OR EQUIVALENT. UL94V-0, COLOR BLACK.
  - 1-2 ② CONTACT: COPPER ALLOY, THICKNESS: 0.15±0.02 mm. RAW MAT'L MUST SUPPLIED BY NIPPON MINING.
  - 1-3 ③ SHIELD: STAINLESS STEEL. THICKNESS: 0.25±0.03 mm.
- FINISH
  - 2-1 CONTACT: Ni 1.2um(50u") UNDERPLATED ALL OVER, --ZONE A: 0.76um Au. --ZONE B: PURE Sn 2.5 um FOR 54040-003-LF EXCEPT CUT-OFF EDGES. OR --ZONE B: MATTE PURE TIN 2.5~5um(100~200u"). (FOR LEAD FREE PLATING) EXCEPT CUT-OFF EDGES.
  - 2-2 SHIELD: Ni 1.2um(50u")

3. PACKAGE

3-1 PACKAGING SPECIFICATION: GES-14-532, PRODUCT TO BE TAPED ON REEL PACKED.

4. WIDTH OF CONTACT

CONTACT POSITION	WIDTH
3,4,17	0.6 mm
OTHERS	0.4 mm

5. RECOMMENDED PCB LAYOUT

5-1 SEE SHEET 2.  
5-2 THE SHIELD FOUR PEGS AND BOTTOM SURFACE SHOULD BE SOLDERED.

- SUFFIX "-LF" OF 54040-003-LF MEANS FOR LEAD FREE PRODUCT. 54040-003-LF CAN MEETS EUROPEAN UNION D OTHER COUNTRY REGULATIONS AS DESCRIBED IN GS-22-008. LEAD FREE LABEL ON REEL & CARTON OF 54040-003-LF PER GS-14-920
- THE HOUSING WILL WITHSTAND EXPOSURE TO 260° PEAK TEMPERATURE FOR 10 SECONDS IN A CONVECTION, INFRA-RED OR VAPOR PHASE REFLOW OVEN

mat'l. code				tolerances unless otherwise specified		CUSTOMER COPY		FCI www.fciconnect.com	
ltr	ecn no	dr	date	linear	.X ± 0.20	projection	title		
R				angles	.XX ± 0.10		IN-PHONE RECEPTACLE 19 POS. ASSEMBLY		
					0° ± 2°		product family	MOBILE I/O	code
				dr	J.Gibbels	10/28/99	size	dwg no	TWN
				enr	H.Vereijken	10/28/99	A4	54040	sheet
				chr	H.van-der-Steen	10/28/99	scale	2:1	5 of
				appd	JOSEPH HSIA	10/28/99			
sheet index	revision sheet								

cage code  
22526

ACAD

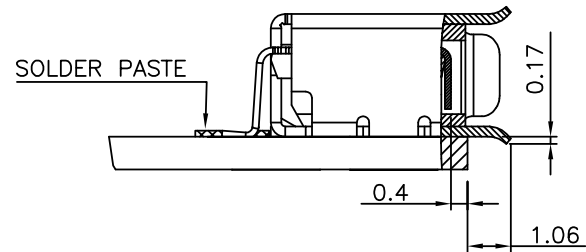
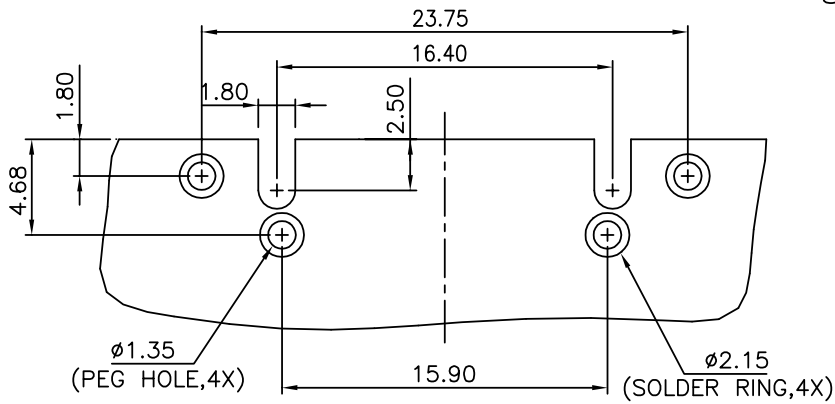
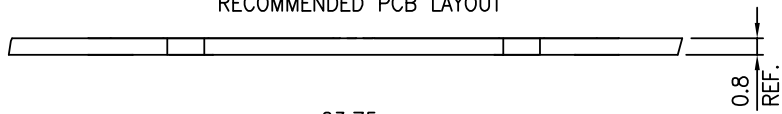
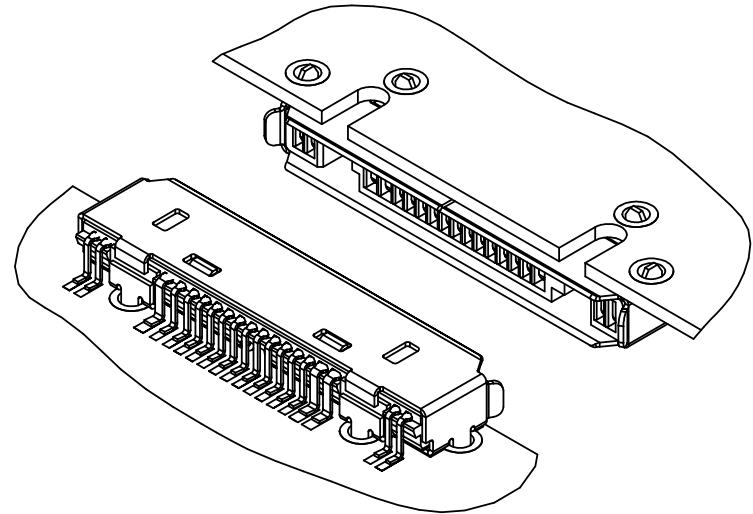
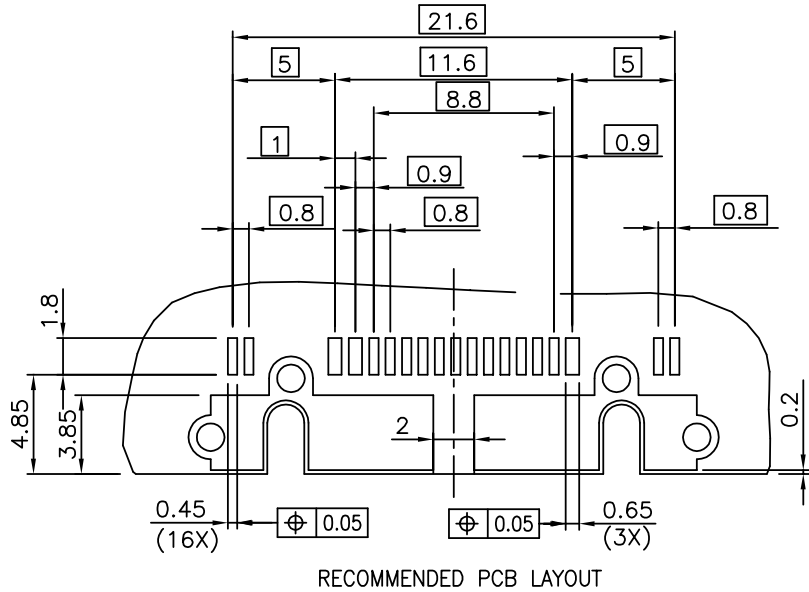
Tous droits strictement reserves. Reproduction ou communication a des tiers interdite sous quelque forme que ce soit sans autorisation écrite du propriétaire. Propriete de c FCI. Droits de reproduction FCI.

All rights strictly reserved. Reproduction or issue to third parties in any form whatever is not permitted without written authority from the proprietor. Property of FCI. Copyright FCI.

1 | 2

3 |

4



mat'l. code				tolerances unless otherwise specified		CUSTOMER COPY		FCI www.fciconnect.com	
ltr	ecn no	dr	date	linear	.X ± 0.20	projection	title		
R				angles	.XX ± 0.10		IN-PHONE RECEPTACLE 19 POS. ASSEMBLY		
				dr	0° ± 2°	MM	product family	MOBILE I/O	code
				enr	J.Gibbels 10/28/99	scale	size	dwg no	TWN
				chr	H.Vereijken 10/28/99	3:1	A4	54040	sheet
				appd	H.van-der-Steen 10/28/99				6 of
sheet index	revision sheet								

1 | 2

3 |

4

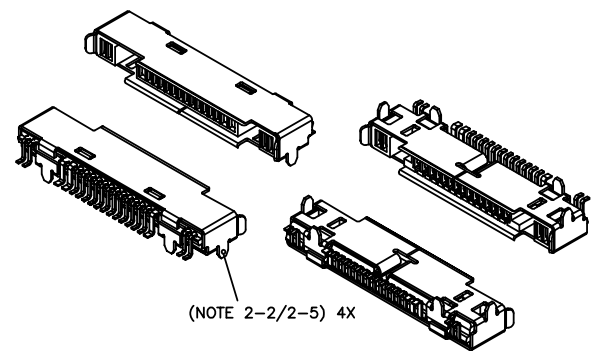
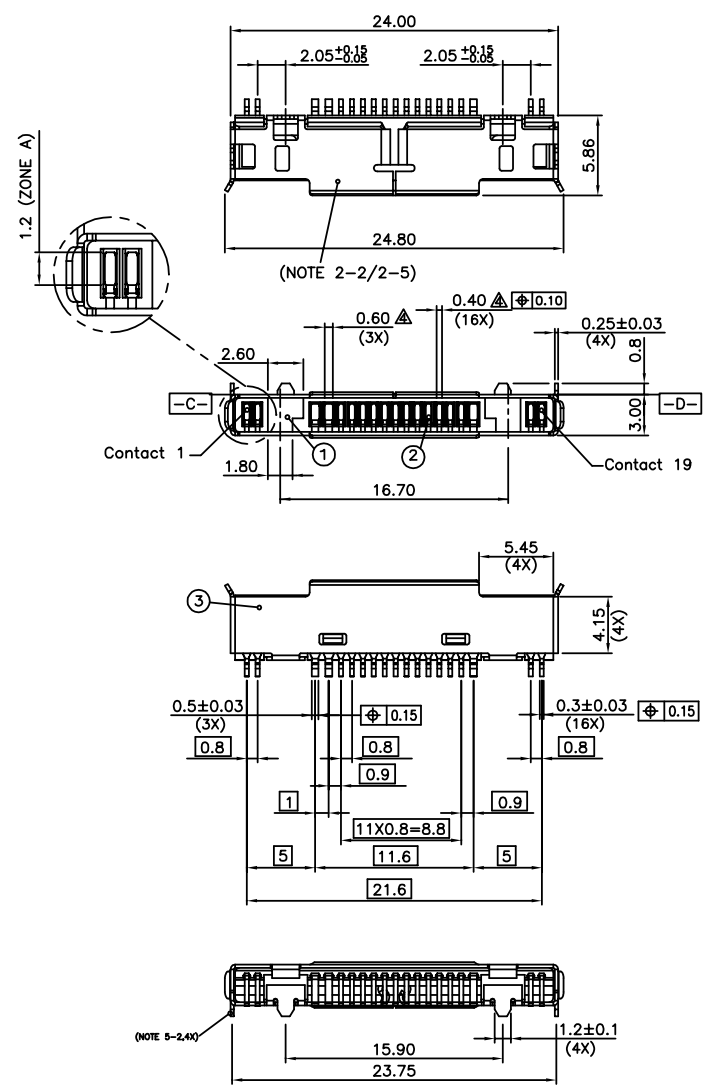
ACAD

cage code  
22526

Tous droits strictement réservés. Reproduction ou communication o des tiers interdite sous quelque forme que ce soit sans autorisation écrite du propriétaire. Propriété de c FCI. Droits de reproduction FCI.

All rights strictly reserved. Reproduction or issue to third parties in any form whatever is not permitted without written authority from the proprietor. Property of FCI. Copyright FCI.

PRODUCT NUMBER	REMARK
54040-004-LF	BOTTOM MOUNT



- NOTES:
- MATERIAL
    - 1-1 HOUSING: HIGH TEMP. PLASTIC, LCP OR EQUIVALENT. UL94V-0, COLOR BLACK.
    - 1-2 CONTACT: COPPER ALLOY. THICKNESS: 0.15 ± 0.02 mm. RAW MAT'L MUST SUPPLIED BY NIPPON MINING.
    - 1-3 SHIELD: STAINLESS STEEL. THICKNESS: 0.25 ± 0.03 mm.
  - FINISH
    - 2-1 CONTACT: Ni 1.2um(50u") UNDERPLATED ALL OVER, --ZONE A: 0.76um Au. --ZONE B: PURE Sn 2.5 um FOR 54040-004-LF EXCEPT CUT-OFF EDGES.
    - 2-2 SHIELD: Ni 1.2um(50u")
  - PACKAGE
    - 3-1 PACKAGING SPECIFICATION: GES-14-532, PRODUCT TO BE TAPED ON REEL PACKED.
  - WIDTH OF CONTACT
 

CONTACT POSITION	WIDTH
3,4,17	0.6 mm
OTHERS	0.4 mm
  - RECOMMENDED PCB LAYOUT
    - 5-1 SEE SHEET 2.
    - 5-2 THE SHIELD FOUR PEGS AND BOTTOM SURFACE SHOULD BE SOLDERED.
  - SUFFIX "-LF" OF 54040-004-LF MEANS FOR LEAD FREE PRODUCT. 54040-004-LF CAN MEETS EUROPEAN UNION D OTHER COUNTRY REGULATIONS AS DESCRIBED IN GS-22-008. LEAD FREE LABEL ON REEL & CARTON OF 54040-004-LF PER GS-14-920.
  - THE HOUSING WILL WITHSTAND EXPOSURE TO 260° PEAK TEMPERATURE FOR 10 SECONDS IN A CONVECTION, INFRA-RED OR VAPOR PHASE REFLOW OVEN

mat'l. code				tolerances unless otherwise specified		CUSTOMER COPY		FCI www.fciconnect.com	
ltr	ecn no	dr	date	linear	.X ± 0.20	projection	title		
S				angles	.XX ± 0.10	MM	IN-PHONE RECEPTACLE		
					0° ± 2°	scale	19 POS. ASSEMBLY		
				dr	J.Gibbels 10/28/99	2:1	product family		code
				enr	H.Vereijken 10/28/99	A4	MOBILE I/O		TWN
				chr	H.van-der-Steen 10/28/99		size dwg no		sheet
				appd	JOSEPH HSIA 10/28/99		54040		7 of
sheet index	revision sheet								

cage code  
22526

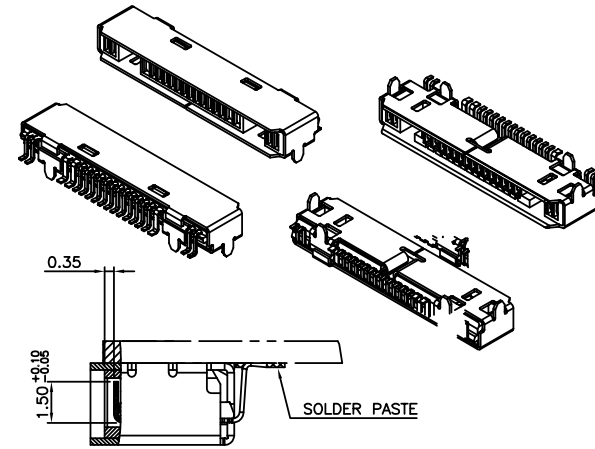
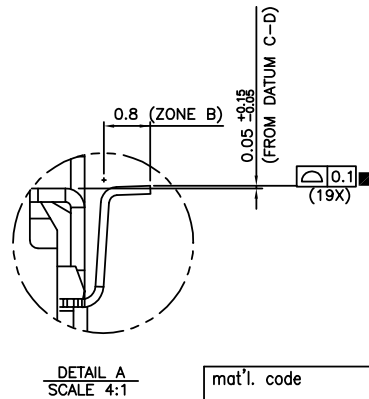
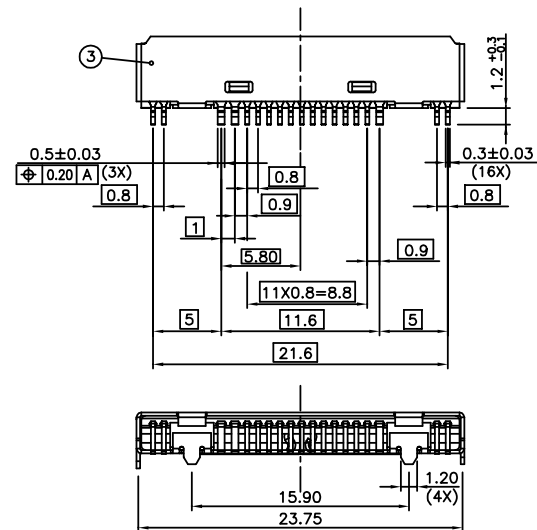
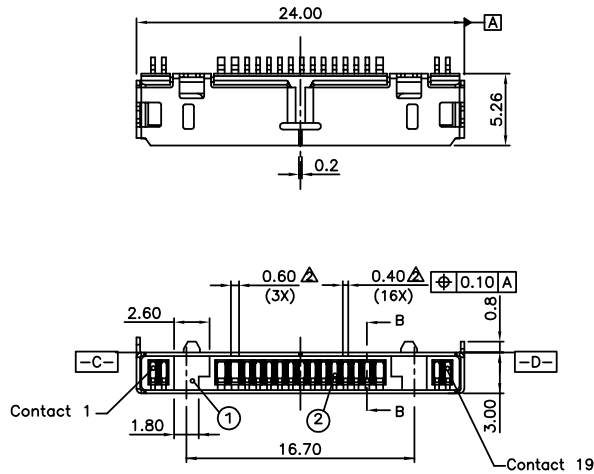
ACAD



Tous droits strictement réservés. Reproduction ou communication à des tiers interdite sous quelque forme que ce soit sans autorisation écrite du propriétaire. Propriété de c FCI. Droits de reproduction FCI.

All rights strictly reserved. Reproduction or issue to third parties in any form whatever is not permitted without written authority from the proprietor. Property of FCI. Copyright FCI.

PRODUCT NUMBER	REMARK
54040-005-LF	BOTTOM MOUNT



- NOTES:
- MATERIAL
    - 1-1 HOUSING: HIGH TEMP. PLASTIC, LCP OR EQUIVALENT. UL94V-0, COLOR BLACK.
    - 1-2 CONTACT: COPPER ALLOY. THICKNESS: 0.15±0.02 mm. RAW MAT'L MUST SUPPLIED BY NIPPON MINING.
    - 1-3 SHIELD: STAINLESS STEEL. THICKNESS: 0.25±0.03 mm.
  - FINISH
    - 2-1 CONTACT: Ni 1.2um(50u") UNDERPLATED ALL OVER,
      - ZONE A: 0.78um Au.
      - ZONE B: PURE Sn 2.5 um FOR 54040-005-LF ; EXCEPT CUT-OFF EDGES.
      - ZONE B: MATTE PURE TIN 2.5~5um(100~200u"). (FOR LEAD FREE PLATING) EXCEPT CUT-OFF EDGES.
    - 2-2 SHIELD: Ni 1.2um(50u")
  - PACKAGE
    - 3-1 PACKAGING SPECIFICATION: GES-14-532, PRODUCT TO BE TAPED ON REEL PACKED.
  - WIDTH OF CONTACT
 

CONTACT POSITION	WIDTH
3,4,17	0.6 mm
OTHERS	0.4 mm
  - RECOMMENDED PCB LAYOUT
    - 5-1 THE SHIELD FOUR PEGS AND BOTTOM SURFACE SHOULD BE SOLDERED.
  - SUFFIX \*-LF\* OF 54040-001-LF MEANS FOR LEAD FREE PRODUCT. 54040-005-LF CAN MEETS EUROPEAN UNION D OTHER COUNTRY REGULATIONS AS DESCRIBED IN GS-22-008. LEAD FREE LABEL ON REEL & CARTON OF 54040-005-LF PER GS-14-920
  - THE HOUSING WILL WITHSTAND EXPOSURE TO 260° PEAK TEMPERATURE FOR 10 SECONDS IN A CONVECTION, INFRA-RED OR VAPOR PHASE REFLOW OVEN

mat'l. code				tolerances unless otherwise specified		CUSTOMER COPY		FCI	
ltr	ecn no	dr	date	linear	.X ± 0.20	projection	www.fciconnect.com		
B				linear	.XX ± 0.10	MM	title		
				angles	0° ± 2°	MM	IN-PHONE RECEPTACLE		
				dr	J.Gibbels 10/28/99	scale	product family		code
				enr	H.Vereijken 10/28/99	2:1	MOBILE I/O		TWN
				chr	H.van-der-Steen 10/28/99	A4	54040		sheet
				appd	JOSEPH HSIA 10/28/99				8 of
sheet index	revision sheet								

cage code	22526
-----------	-------

ACAD

PDM: Rev:V

STATUS: Released

Printed: Apr 13, 2008